



Universal Motion Components

Marine Hardware Division

T-Bolt Style Round - 18" & 20"

This industry standard steel enclosure is based on the proven strongback style hatch and is operated by a single T-handle bolt. It's easy operation facilitates its convenient use while maintaining a near flush profile.

Features:

- Made from high strength 3/8" steel for better impact resistance
- No tools required single bolt T-handle for secure engagement
- Stainless steel T-Handle and Brass Thread block uses dissimilar metals to prevent galling and ensure trouble free operation
- Nitrile rubber gaskets ensure water tight seal

Also available in Galvanized Steel finish.



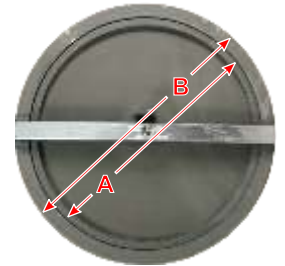
| Hatch Model | Clear (A) Opening | Outside (B) Diameter | Technical Drawing |
|-------------|-------------------|----------------------|-------------------|
| UMC-430-18 | 18" (457mm) | 20.75" (527mm) | 01210-101A |
| UMC-430-24 | 20" (508mm) | 26.75" (679mm) | 01220-101A |

HATCH MATERIAL:

Steel (ASTM A36)
Painted Primer Grey

HARDWARE:

Tee Bolt - Stainless Steel
Thread Block - Brass
Strongback - Galvanized Steel
Gasket - Nitrile Rubber
Washer - Brass
Handle Gasket - Nitrile Rubber



UMC-430-18 Steel Hatch with Stainless Steel Hardware

Single Bolt Style Round - 20" & 22"

This industry standard steel enclosure is also based on the proven strongback style hatch and is operated by a single 7/8" Stainless steel bolt. The simple design provides a secured hatch and flush deck profile.

Features:

- Made from high strength 3/8" steel for better impact resistance
- 1-5/16" wrench required for single bolt secure engagement
- Stainless steel bolt and steel strongback provide dissimilar metals to prevent galling and ensure trouble free operation
- Nitrile rubber gaskets ensure Water tight seal
- Stainless steel chain ensures covers stay attached and never get lost



| Hatch Model | Clear (A) Opening | Outside (B) Diameter | Technical Drawing |
|-------------|-------------------|----------------------|-------------------|
| UMC-301-20 | 17.75"(451mm) | 20" (508mm) | 08380-101A |
| UMC-301-22 | 19.75"(502mm) | 22" (559mm) | 08381-101A |

HATCH MATERIAL:

Steel (ASTM A36)
Painted Primer Grey

HARDWARE:

Bolt 7/8-9 - Stainless Steel
Chain - Stainless Steel
Hinge Pin - Stainless Steel
Cotter Pin - Stainless Steel
Washer - Brass
Bolt Gasket - Nitrile Rubber

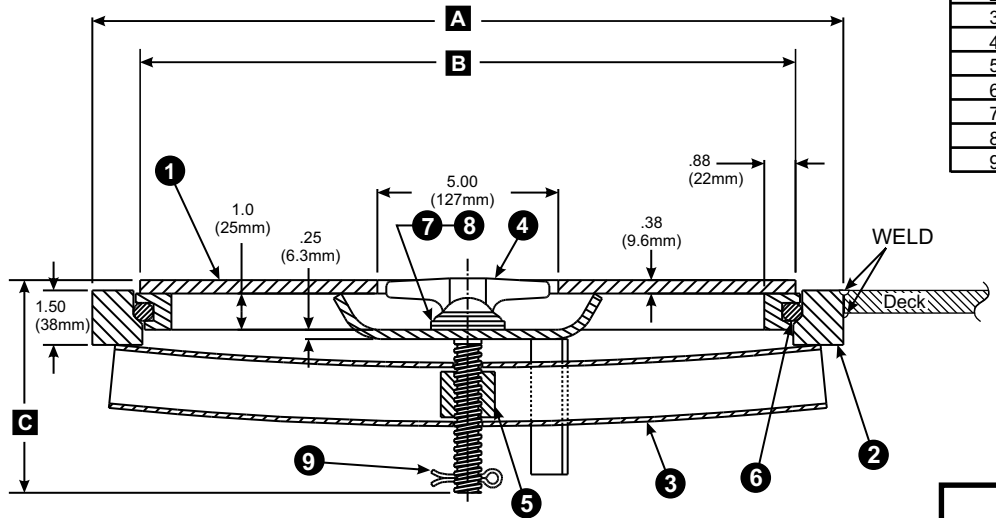


UMC-301-20 Steel Hatch with Stainless Steel Hardware

Hatches

BILL OF MATERIAL: UMC-430

| PC.NO. | DESCRIPTION | MATERIAL |
|--------|---------------|------------------|
| 1 | COVER | STEEL |
| 2 | DECK RING | STEEL |
| 3 | STRONGBACK | GALVANIZED STEEL |
| 4 | T-HANDLE | STAINLESS STEEL |
| 5 | NUT SQUARE | BRASS |
| 6 | GASKET | NITRILE RUBBER |
| 7 | WSHER | BRASS |
| 8 | HANDLE GASKET | NITRILE RUBBER |
| 9 | COTTER PIN | STAINLESS |



714-437-9600
714-437-9700 (FAX)
info@umcproducts.com

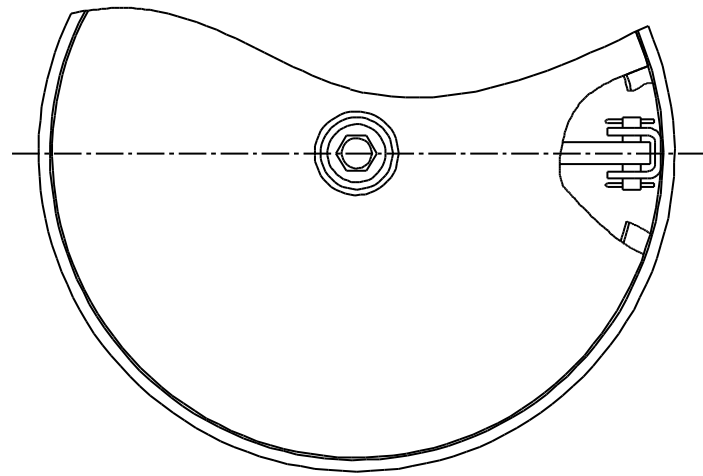
UNIVERSAL MARINE COMPONENTS

UNIVERSAL FLUSH HATCH

SINGLE BOLT T-HANDLE STYLE
18" & 24" ROUGH OPENING
MODEL 01210-101A - UMC-430-18
MODEL 01220-101A - UMC-430-24

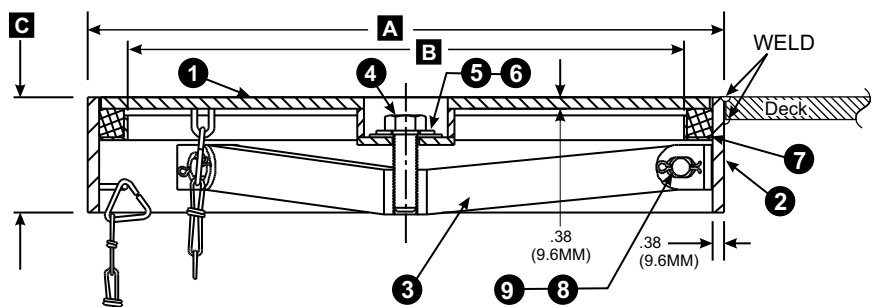
DWG. NO. UMC-430

| Model Number | Part Number | DIMENSIONS INCHES (MM) | | | Weight LBS (KGS) |
|--------------|-------------|------------------------|-------------|------------|------------------|
| | | A | B | C | |
| UMC-430-18 | 01210-101A | 20.76 (527) | 18.13 (460) | 5.89 (150) | 81 (37) |
| UMC-430-24 | 01220-101A | 26.76 (679) | 24 (610) | 5.76 (150) | 120 (55) |



BILL OF MATERIAL: UMC-301

| PC.NO. | DESCRIPTION | MATERIAL |
|--------|-------------|-----------------|
| 1 | COVER | STEEL |
| 2 | COAMING | STEEL |
| 3 | STRONGBACK | STEEL |
| 4 | BOLT 7/8-9 | STAINLESS STEEL |
| 5 | WASHER | BRASS |
| 6 | BOLT GASKET | NITRILE RUBBER |
| 7 | GASKET | NITRILE RUBBER |
| 8 | PIN | STEEL |
| 9 | COTTER PIN | STAINLESS |



714-437-9600
714-437-9700 (FAX)
info@umcproducts.com

UNIVERSAL MARINE COMPONENTS

UNIVERSAL FLUSH HATCH

SINGLE BOLT ROUND MANHOLE
20" & 22" OUTSIDE DIAMETER
MODEL 08380-101A - UMC-301-20
MODEL 08381-101A - UMC-301-22

DWG. NO. UMC-301

| Model Number | Part Number | DIMENSIONS INCHES (MM) | | | Weight LBS (KGS) |
|--------------|-------------|------------------------|-------------|---------|------------------|
| | | A | B | C | |
| UMC-301-20 | 08380-101A | 20 (508) | 17.75 (450) | 4 (102) | 70 (32) |
| UMC-301-22 | 08381-101A | 22 (559) | 19.75 (502) | 4 (102) | 75 (34) |



Universal Motion Components

Marine Hardware Division

Twist Lock Style Round - Flush & Coaming

Hatches

The Twist Lock hatch is a simple proven design for hatch enclosures. The twist engagement method for securing this hatch makes this the simplest hatch to operate. This hatch is made from high strength 3/8" cast steel with reinforced ribs. Built-in Lift-out handles are molded into the cover plate for convenience.



Features:

- Low cost - high strength cast steel construction
- Lift-out grab handles Molded into cover casting
- Reinforced steel ribs on cover to provide greater impact resistance
- Galvanized steel chain ensures the cover stays attached and will never get lost

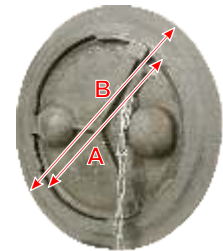
| Hatch Model | Clear (A) Opening | Outside (B) Diameter | Technical Drawing |
|-------------|-------------------------|----------------------|-------------------|
| UMC-474 | 18.6" (472mm) | 24" (610mm) | 08640-101A |
| UMC-474-5* | Available w/ 5" Coaming | | 08641-101A |

HATCH MATERIAL:

Steel (ASTM A36)
Painted Primer Grey

HARDWARE:

Gasket - Nitrile Rubber
Chain - Galvanized Steel
Coaming* - Steel



UMC-474 Cast Steel Hatch with Cast Steel Deck Ring

* Coaming Model Not Pictured

Ullage Style Round - 8" & 10"

The Ullage hatch is a strong and secure method of enclosing a tank compartment while still providing easy single bolt operation for inspection or measuring of cargo. Available in 8" and 10" diameters.



Features:

- Low cost - high strength cast steel construction.
- Cast Steel and Stainless Steel Dog handles (grease zerks Optional)
- Bronze tumble bolts for corrosion resistance and trouble free operation
- Bolts and nuts made from dissimilar metals to prevent galling and corrosion
- Simple Ullage arm hinge design allows for simple and clear access to port

See Additional Products on the Hatch Matrix (p. 12)

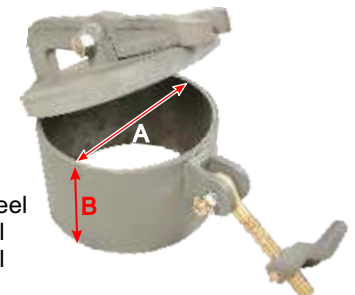
| Hatch Model | Clear (A) Opening | Coaming Height (B) | Technical Drawing |
|-------------|-------------------|--------------------|-------------------|
| UMC-144 | 8" (203mm) | 7/8" (22mm) | 01242-102A |
| UMC-144-5 | 8" (203mm) | 5" (127mm) | 01242-104B |
| UMC-569-5 | 10" (254mm) | 5" (127mm) | 01243-101A |

HATCH MATERIAL:

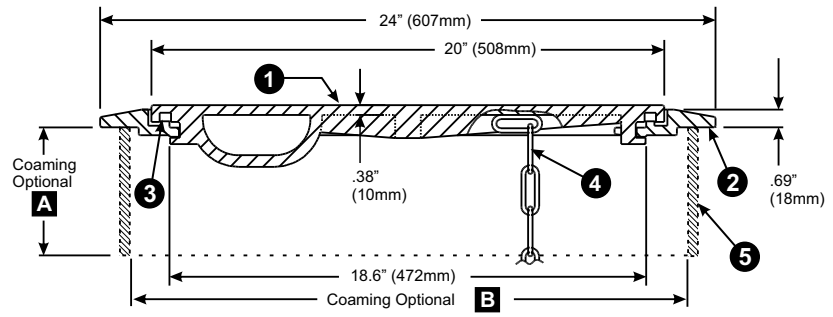
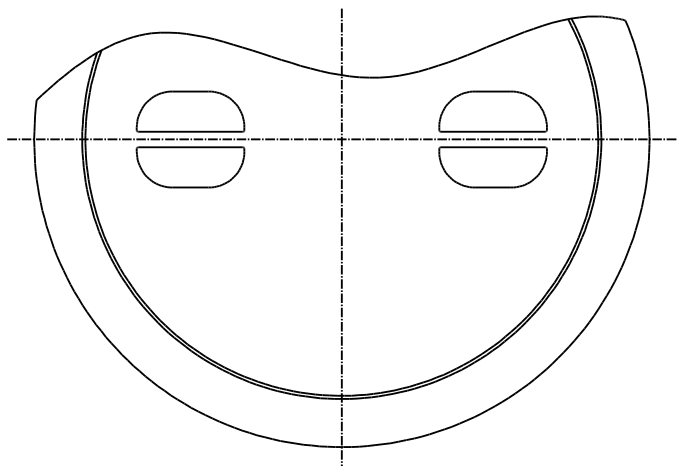
Steel (ASTM A36)
Painted Primer Grey

HARDWARE:

Tumble Bolt - Bronze
Dog Handle - Steel
Ullage Arm - Steel
Bolt 5/8-11 - Zinc Plated Steel
Nut 5-8-11 - Stainless Steel
Washer - Stainless Steel
Gasket - Nitrile Rubber



08380-101A Steel Hatch with Stainless Steel Hardware



BILL OF MATERIAL: UMC-474

| PC.NO. | DESCRIPTION | MATERIAL |
|--------|-------------|-----------------|
| 1 | COVER | STEEL |
| 2 | DECK RING | STEEL |
| 3 | GASKET | NITRILE RUBBER |
| 4 | CHAIN | STAINLESS STEEL |
| 5 | COAMING | STEEL |



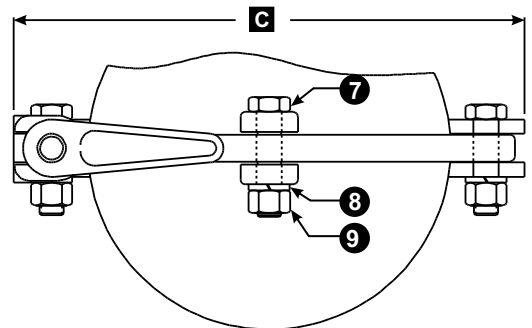
714-437-9600
714-437-9700 (FAX)
info@umcproducts.com

UNIVERSAL FLUSH HATCH

STEEL TWIST LOCK HATCH
24" ROUND OVERALL DIAMETER
MODEL 08640-101A - UMC-474
MODEL 08641-101A - UMC-474-5

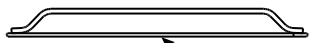
DWG. NO. UMC-474

| Model Number | Part Number | DIMENSIONS INCHES (MM) | | Weight LBS (KGS) |
|--------------|-------------|------------------------|--------------|------------------|
| | | A | B | |
| UMC-474 | 08640-101A | N/A | N/A | 85 (39) |
| UMC-474-5 | 08641-101A | 5" (127) | 21.75" (552) | 118 (54) |

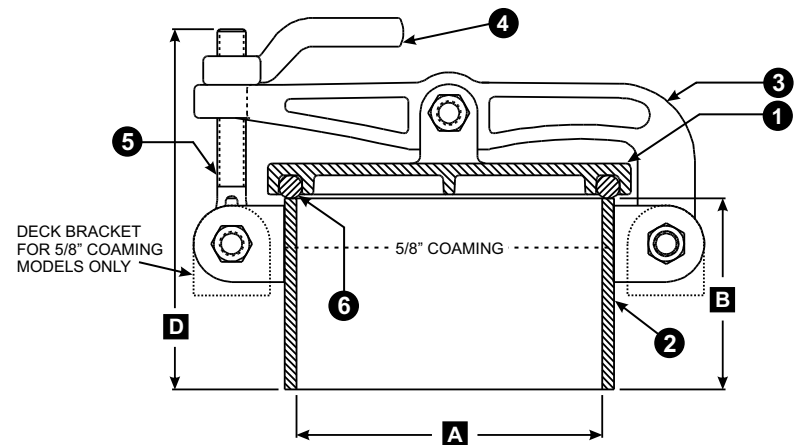


BILL OF MATERIAL: UMC-144

| PC.NO. | DESCRIPTION | MATERIAL |
|--------|---------------|-------------------|
| 1 | COVER | STEEL |
| 2 | COAMING | STEEL |
| 3 | ULLAGE HANDLE | STEEL |
| 4 | DOG HANDLE | STEEL |
| 5 | TUMBLE BOLT | BRONZE |
| 6 | GASKET | NITRILE RUBBER |
| 7 | BOLT 5/8-11 | ZINC PLATED STEEL |
| 8 | NUT 5/8-11 | STAINLESS STEEL |
| 9 | WASHER 5/8 | STAINLESS STEEL |



OPTIONAL FLAME SCREEN FOR 8" Ø & 10" Ø MODELS




714-437-9600
714-437-9700 (FAX)
info@umcproducts.com

UNIVERSAL RAISED HATCH

SINGLE BOLT ULLAGE HATCH
8" & 10" ROUGH OPENING
MODEL 01242-102A - UMC-144
MODEL 01242-104B - UMC-144-5
MODEL 01243-101A - UMC-569-5

DWG. NO. UMC-144

| Model Number | Part Number | DIMENSIONS INCHES (MM) | | | | Weight LBS (KGS) |
|--------------|-------------|------------------------|-----------|-------------|-------------|------------------|
| | | A | B | C | D | |
| UMC-144 | 01242-102A | 8" (203) | 5/8" (16) | 14" (356) | 6.63" (168) | 70(32) |
| UMC-144-5 | 01242-104B | 8" (203) | 5" (127) | 14" (356) | 9.44" (240) | 70(32) |
| UMC-569-5 | 01243-101A | 10" (254) | 5" (127) | 15.23"(387) | 9.31" (236) | 75(34) |



Universal Motion Components

Marine Hardware Division

Multi-Dog Style Round - 4 Dog & 3 Dog

Multi-Dog Raised hatches are a strong and secure working enclosure system. They are universally used hardware on all kinds of commercial vessels from small workboats to ocean going cargo ships. Their simple design and quality steel construction help them meet the long range trouble free service requirements in the harshest environments.

Features:

- Low cost - high strength cast steel construction
- Cast Steel and Stainless Steel Dog handles (available with grease zerks optional)
- Bronze tumble bolts for corrosion resistance and trouble free operation
- Bolts and nuts made from dissimilar metals to prevent galling and corrosion

See additional products on the Hatch Matrix (p. 11)



| Hatch Model | Clear (A) Opening | Number of Dogs | Technical Drawing |
|-------------|-------------------|----------------|-------------------|
| UMC-456-5 | 12" (305mm) | 3 Dog | 03410-101A |
| UMC-343-5 | 19" (305mm) | 4 Dog | 01230-101A |

HATCH MATERIAL:

Steel (ASTM A36)
Painted Primer Grey

HARDWARE:

Tumble Bolt - Bronze
Dog Handle - Steel
Bolt 5/8-11 - Zinc Plated Steel
Nut 5-8-11 - Stainless Steel
Gasket - Nitrile Rubber



UMC-456-5 Steel Hatch 4-Dog

Multi-Dog Style Oval - 2 Dog & 4 Dog

Multi-Dog Raised hatches are a strong and secure enclosure system. They are universally used hardware on all kinds of commercial vessels.

Features:

- Cast Steel and Stainless Steel dog handles (available with grease zerks optional)
- Bronze tumble bolts for corrosion resistance and trouble free operation
- Bolts and nuts made from dissimilar metals to prevent galling and corrosion

See additional products on the Hatch Matrix (p. 10)



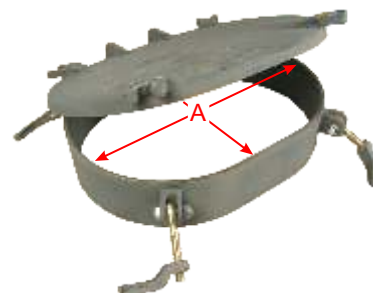
| Hatch Model | Clear (A) Opening | Number of Dogs | Technical Drawing |
|-------------|--------------------------|----------------|-------------------|
| UMC-274-5 | 15" x 23" (381 x 548 mm) | 2 Dog | 01241-105A |
| UMC-174-5 | 15" x 23" (381 x 548 mm) | 4 Dog | 01240-102A |
| UMC-464-5 | 18" x 24" (457 x 609 mm) | 4 Dog | 03800-101A |

HATCH MATERIAL:

Steel (ASTM A36)
Painted Primer Grey

HARDWARE:

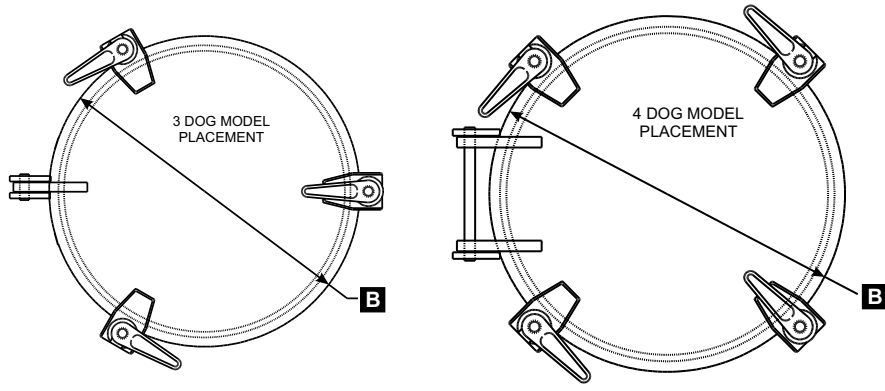
Tumble Bolt - Bronze
Dog Handle - Steel
Bolt 5/8-11 - Zinc Plated Steel
Nut 5-8-11 - Stainless Steel
Gasket - Nitrile Rubber



UMC-274-5 Steel Hatch 2-Dog

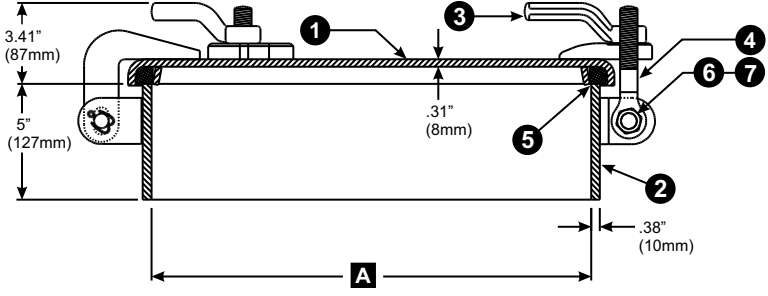


UMC-46-5 Steel Hatch 4-Dog



BILL OF MATERIAL: UMC-343

| PC.NO. | DESCRIPTION | MATERIAL |
|--------|-------------|-------------------|
| 1 | COVER | STEEL |
| 2 | COAMING | STEEL |
| 3 | DOG HANDLE | STEEL |
| 4 | TUMBLE BOLT | BRASS |
| 5 | GASKET | NITRILE RUBBER |
| 6 | BOLT 5/8-11 | ZINC PLATED STEEL |
| 7 | NUT 5/8-11 | STAINLESS STEEL |

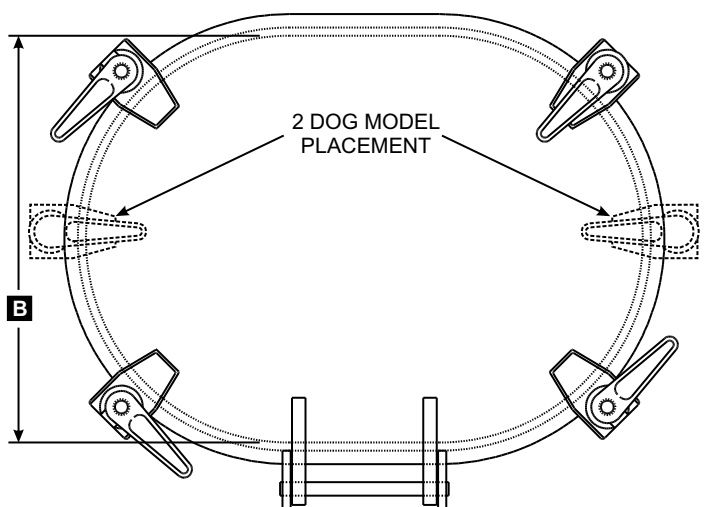


714-437-9600
714-437-9700 (FAX)
info@umcproducts.com

UNIVERSAL RAISED HATCH
MULTI-DOG RAISED HATCH
22" ROUGH OPENING
MODEL 03410-101A - UMC-456-5
MODEL 01230-101A - UMC-343-5

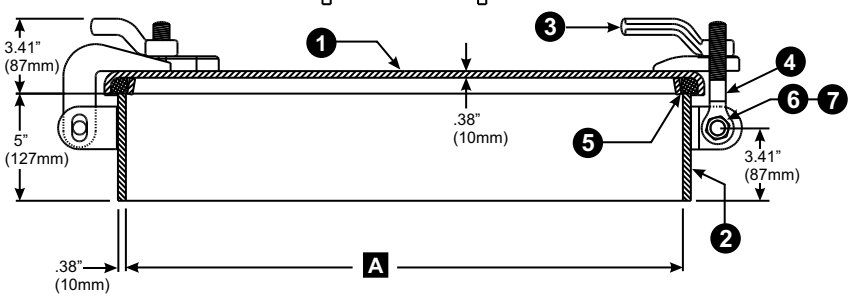
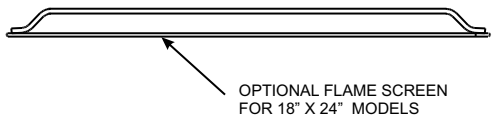
DWG. NO. UMC-343

| Model Number | Part Number | DIMENSIONS INCHES (MM) | | # OF DOGS | Weight LBS (KGS) |
|--------------|-------------|------------------------|--------------|-----------|------------------|
| | | A | B | | |
| UMC-456-5 | 03410-101A | 12" (305) | 13.75" (349) | 3 DOG | 85 (39) |
| UMC-343-5 | 01230-101A | 19" (483) | 21" (533) | 4 DOG | 92 (42) |



BILL OF MATERIAL: UMC-174

| PC.NO. | DESCRIPTION | MATERIAL |
|--------|-------------|-------------------|
| 1 | COVER | STEEL |
| 2 | COAMING | STEEL |
| 3 | DOG HANDLE | STEEL |
| 4 | TUMBLE BOLT | BRASS |
| 5 | GASKET | NITRILE RUBBER |
| 6 | BOLT 5/8-11 | ZINC PLATED STEEL |
| 7 | NUT 5/8-11 | STAINLESS STEEL |



714-437-9600
714-437-9700 (FAX)
info@umcproducts.com

UNIVERSAL RAISED HATCH
MULTI-DOG RAISED HATCH
15"X23" & 18"X24" ROUGH OPENING
MODEL 01241-105A - UMC-274-5
MODEL 01240-102A - UMC-174-5
MODEL 03800-101A - UMC-464-5

DWG. NO. UMC-174

| Model Number | Part Number | DIMENSIONS INCHES (MM) | | # OF DOGS | Weight LBS (KGS) |
|--------------|-------------|------------------------|--------------|-----------|------------------|
| | | A | B | | |
| UMC-274-5 | 01241-105A | 15" (382) | 23" (584) | 2 DOG | 91(41.2) |
| UMC-174-5 | 01240-102A | 15" (382) | 23" (584) | 4 DOG | 97(44) |
| UMC-464-5 | 03800-101A | 18.25" (457) | 24.25" (607) | 4 DOG | 106(48) |



Universal Motion Components

Marine Hardware Division

Multi-Dog Combo Hatch Oval - 4 Dog w/ Ullage

Hatches

Multi-Dog Raised hatches are a strong and secure working enclosure system. The added Ullage hatch is likewise a strong and secure method of enclosing a tank compartment while still providing easy single-bolt operation for inspection or measuring of cargo.

Features:

- Low cost - high strength cast steel construction
- Cast Steel and Stainless Steel Dog handles (grease zerks optional)
- Bronze tumble bolts for corrosion resistance and trouble free operation
- Bolts and nuts made from dissimilar metals to prevent galling and corrosion

See additional products on the Hatch Matrix (p. 14)



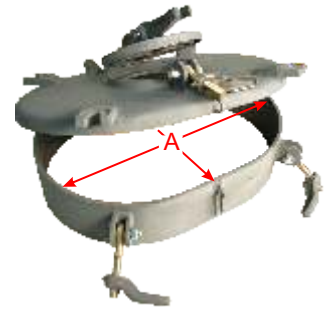
| Hatch Model | Clear (A) Opening | Number of Dogs | Technical Drawing |
|-----------------------|--|----------------|-------------------|
| UMC-464-5 w/144Ullage | 18" x 24" (457 x 609 mm) Ullage - 7" (178 mm) | 4 Dog 1 Dog | 03800-130K |

HATCH MATERIAL:

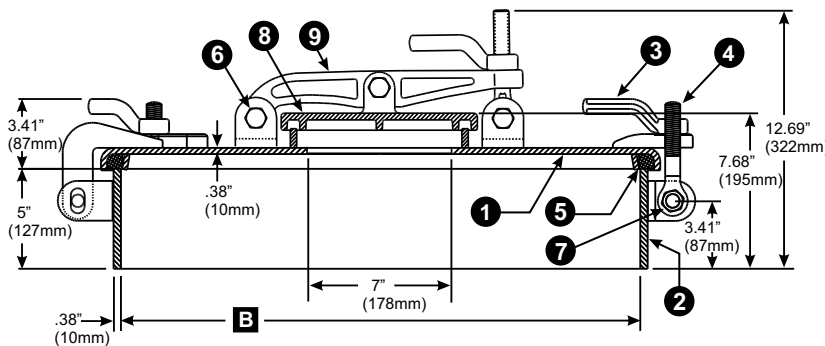
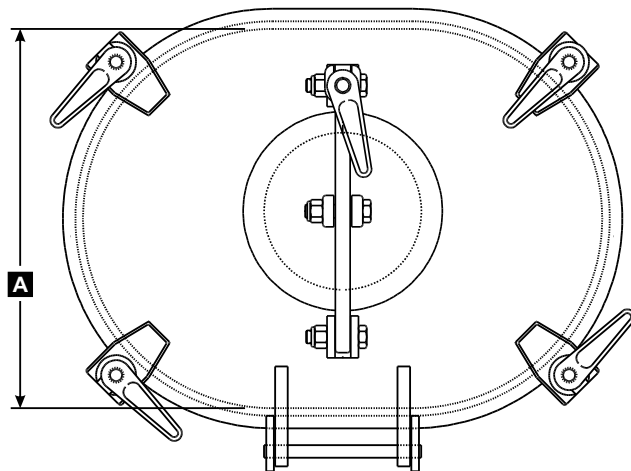
Steel (ASTM A36)
Painted Primer Grey

HARDWARE:

Tumble Bolt - Bronze
Dog Handle - Steel
Ullage Arm - Steel
Bolt 5/8-11 - Zinc Plated Steel
Nut 5-8-11 - Stainless Steel
Washer - Stainless Steel
Gasket - Nitrile Rubber

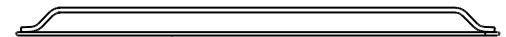


UMC-464-5 Steel Hatch 4-Dog with 8" Ullage Inspection



BILL OF MATERIAL: UMC-464/144

| PC.NO. | DESCRIPTION | MATERIAL |
|--------|--------------|-------------------|
| 1 | COVER | STEEL |
| 2 | COAMING | STEEL |
| 3 | DOG HANDLE | STEEL |
| 4 | TUMBLE BOLT | BRASS |
| 5 | GASKET | NITRILE RUBBER |
| 6 | BOLT 5/8-11 | ZINC PLATED STEEL |
| 7 | NUT 5/8-11 | STAINLESS STEEL |
| 8 | ULLAGE COVER | STEEL |
| 9 | ULLAGE ARM | STEEL |



OPTIONAL FLAME SCREEN FOR 18" X 24" MODELS



714-437-9600
714-437-9700 (FAX)
info@umcproducts.com

UNIVERSAL RAISED HATCH

MULTI-DOG RAISED HATCH
18"X24" ROUGH OPENING W/ 8" ULLAGE
MODEL 03800-130K - UMC-464-5/144

DWG. NO. UMC-174/144

| Model Number | Part Number | DIMENSIONS INCHES (MM) | | # OF DOGS | Weight LBS (KGS) |
|---------------|-------------|------------------------|--------------|-----------|------------------|
| | | A | B | | |
| UMC-464-5/144 | 03800-130K | 18.31" (465) | 24.25" (616) | 5 DOG | 126 (57) |



UMC Marine Hatch Product Matrix and Spare Parts List

UMC-274 & UMC 174 - 15" X 23" Oval Multi-Dog Hatch

| P/N | Desc / Quantity | Cover Material | Coaming Material | Coaming Height | Gasket Material | Paint Spec | Dog Handles | Tumble Bolt | Lug Bolt | Lug Nut | Hinge Pin | Hasp Lock |
|--|--|----------------|------------------|----------------|-----------------|-----------------|-------------|-------------|----------|---------|-----------|-----------|
| 15"x 23" 2 Dog Hatch | | | | | | | | | | | | |
| 01241-105A* | Hatch, 15x23 2 Dog Std Paint Ntrl Gas | ST | ST | 5" | NTRL | PRIMER | ST | BR | ST | ST | ST | NO |
| 01241-105C | Hatch, 15x23 2 Dog Std Paint Ntrl Gas SS Hw | ST | ST | 5" | NTRL | PRIMER | SS | SS | SS | SS | SS | NO |
| 15"x 23" 4 Dog Hatch | | | | | | | | | | | | |
| 01240-102A* | Hatch, 15x23 4 Dog Std Paint Ntrl Gas | ST | ST | 5" | NTRL | PRIMER | ST | BR | ST | ST | ST | NO |
| 01240-102B | Hatch, 15x23 4 Dog SPL Paint Ntrl Gas SS Hw | ST | ST | 5" | NTRL | PRIMER EXT ONLY | SS | SS | SS | SS | ST | NO |
| 01240-112E | Hatch, 15x23 4 Dog SPL Paint | ST | ST | 5" | NONE | PRIMER EXT ONLY | ST | BR | ST | ST | ST | NO |
| 01240-102E | Hatch, 15x23 4 Dog Std Paint Ntrl Gas 12" Coam | ST | ST | 12" | NTRL | PRIMER | ST | BR | ST | ST | ST | NO |
| 01240-102C | Hatch, 15x23 4 Dog Std Paint Ntrl Gas 600mm Co | ST | ST | 600 mm | NTRL | PRIMER | ST | BR | ST | ST | ST | NO |
| All Stainless Steel Hatch - Stainless Cover and Coaming | | | | | | | | | | | | |
| 01240-102S | SS Hatch, 15x23 4 Dog Ntrl Gas SS Hw | SS | SS | 5" | NTRL | NONE | SS | SS | SS | BR | SS | NO |

Definitions

| |
|---|
| NTRL = NITRILE RUBBER - 01242-701A |
| PTFE = BRAIDED TFE PACKING FOR 8" - 01242-701B |
| NONE = NO GASKET PROVIDED |
| PRIMER = GREY PRIMER FINISH ON ALL SURFACES |
| PRIMER EXT ONLY = GREY PRIMER FINISH ON EXTERIOR |

Parts List

| | Dog Handles | Tumble Bolt | Lug Bolt | Lug Nut | Hinge Pin | Hasp Lock |
|--------------------------------|-------------|-------------|------------|------------|------------|------------|
| ST = STEEL OR CAST IRON | 01240-302A | NA | 01240-801A | 03570-805A | 01240-208A | 03410-205B |
| BR = BRONZE | 01240-302B | 01240-201A | NA | 02570-802B | | |
| SS = STAINLESS STEEL | 01240-302C | 01240-201B | 01240-801B | 02570-802A | 01240-208B | |

UMC-464-5 - 03800 Series - Multi-Dog Hatch - 18" x 24" 4 dog

| P/N | Desc / Quantity | Cover Material | Coaming Material | Coaming Height | Gasket Material | Paint Spec | Dog Handles | Tumble Bolt | Lug Bolt | Lug Nut | Hinge Pin | Hasp Lock |
|---|--|----------------|------------------|----------------|-----------------|------------|-------------|-------------|----------|---------|-----------|-----------|
| 03800-101A* Hatch, 18x24 4 Dog Std Paint Ntrl Gas | | | | | | | | | | | | |
| 03800-101F Hatch, 18x24 4 Dog Std Paint HD Pack | | | | | | | | | | | | |
| 03800-101B Hatch, 18x24 4 Dog SPL Paint HD-Pack Hasp | | | | | | | | | | | | |
| 03800-102A Hatch, 18x24 4 Dog SPL Paint Hasp | | | | | | | | | | | | |
| 03800-101G Hatch, 18x24 4 Dog Spl Paint | | | | | | | | | | | | |
| 03800-103A Hatch, 18x24 4 Dog SPL Paint 8" Coam | | | | | | | | | | | | |
| 03800-101H Hatch, 18x24 4 Dog Spl Paint Flax Pack Hasp | | | | | | | | | | | | |
| 03800-101C Hatch, 18x24 4 Dog Std Paint Ntrl Gas SS-Dog | | | | | | | | | | | | |
| 03800-101J Hatch, 18x24 4 Dog Zinc Paint Ntrl Gas | | | | | | | | | | | | |
| 03800-101D Hatch, 18x24 4 Dog Std Paint SS Hw HD Pack H | | | | | | | | | | | | |
| 03800-102D Hatch, 18x24 4 Dog SPL Paint SS Hw hasp | | | | | | | | | | | | |
| 03800-102E Hatch, 18x24 4 Dog SPL Paint SS Hw Zerk Dog H | | | | | | | | | | | | |
| 03800-102J Hatch, 18x24 4 Dog SPL Paint SS Hw Zerk Dog H | | | | | | | | | | | | |
| 03800-102U Hatch, 18x24 4 Dog 8" Coam SPL Paint SS Hw Z | | | | | | | | | | | | |
| 03800-101P Hatch, 18x24 4 Dog SPL Paint SS Hw Zerk Dog H | | | | | | | | | | | | |
| 03800-101E Hatch, 18x24 4 Dog Std Paint Zerk Dog | | | | | | | | | | | | |
| 03800-102K Hatch, 18x24 4 Dog Std Paint Zerk Dog Hasp | | | | | | | | | | | | |
| 03800-101M Hatch, 18x24 4 Dog Spl Paint HD Pack Hasp | | | | | | | | | | | | |
| 03800-101MN Hatch, 18x24 4 Dog Spl Paint Ntrl Gas Hasp | | | | | | | | | | | | |
| 03800-102M Hatch, 18x24 4 Dog Spl Paint Hasp | | | | | | | | | | | | |
| All Stainless Steel Hatch - Stainless Cover and Coaming | | | | | | | | | | | | |
| 03800-101S | SS Hatch, 18x24 4 Dog SS/BR Metric M16 | SS | SS | 5" | NONE | NONE | SS | BR | SS-M16 | BZ-M16 | SS | NO |
| 03800-101T | SS Hatch, 18x24 4 Dog SS/BR HD Pack | SS | SS | 5" | PTFE | NONE | SS | BR | SS | BZ | SS | NO |
| 03800-102T | SS Hatch, 18x24 4 Dog SS/BR | SS | SS | 5" | NONE | NONE | SS | BR | SS | BS | SS | NO |

Definitions

| |
|--|
| NTRL = NITRILE RUBBER - 03800-701A |
| PTFE = BRAIDED TFE PACKING - 03800-701B |
| FLAX = BRAIDED FLAX PACKING - 03800-701C |
| NONE = NO GASKET PROVIDED |
| PRIMER = GREY PRIMER FINISH ON ALL SURFACES |
| PRIMER EXT ONLY = GREY PRIMER FINISH ON EXTERIOR |
| INTERPZINC 22 = INTERPZINC 22 PRIMER - 01051-902A |

Parts List

| | Dog Handles | Tumble Bolt | Lug Bolt | Lug Nut | Hinge Pin | Hasp Lock |
|---|-------------|-------------|------------|------------|------------|------------|
| ST = STEEL OR CAST IRON | 01240-302A | NA | 01240-801A | 03570-805A | 03800-204A | 03410-205A |
| BR = BRONZE | 01240-302B | 01240-201A | NA | NA | | |
| SS = STAINLESS STEEL | 01240-302C | 01240-201B | 01240-801B | 02570-802A | 03800-204B | |
| ST/ZRK = CAST STEEL WITH Zerk Dog | 01240-312A | NA | NA | NA | | |
| NUT SS = STAINLESS STEEL FLANGE NUTS | 56020-0125S | NA | NA | NA | | |
| SS-M16 = STAINLESS STEEL METRIC M-16 | NA | NA | 01230-804A | NA | | |
| BR-M16 = BRONZE METRIC - M-16 | NA | NA | NA | 01230-803A | | |

* Stocked Items at UMC Costa Mesa Locations (All Other Item are special Order)



UMC Marine Hatch Product Matrix and Spare Parts List

UMC-456 - 03410 Series - Multi-Dog Hatch - 12" Round 3 Dog

| P/N | Desc / Quantity | Cover Material | Coaming Material | Coaming Height | Gasket Material | Paint Spec | Dog Handles | Tumble Bolt | Lug Bolt | Lug Nut | Hinge Pin | Hasp Lock |
|----------------------------|---|----------------|------------------|----------------|-----------------|-----------------|-------------|-------------|----------|---------|-----------|-----------|
| | | 1 | 1 | 1 | 1 | | 3 | 3 | 3 | 3 | 1 | |
| 03410-101A | Hatch, 12" Rnd 3 Dog Std Paint Ntrl Gas | ST | ST | 5" | NTRL | PRIMER | ST | BR | ST | ST | ST | NO |
| 03410-101D | Hatch, 12" Rnd 3 Dog Spl Paint HD pack Hasp | ST | ST | 5" | PTFE | PRIMER EXT ONLY | ST | BR | ST | ST | ST | YES |
| 03410-103D | Hatch, 12" Rnd 3 Dog Spl Paint | ST | ST | 5" | NONE | PRIMER EXT ONLY | ST | BR | ST | ST | ST | YES |
| 18" Coaming Hatches | | | | | | | | | | | | |
| 03410-102A | Hatch, 12" Rnd 3 Dog Spl Paint 18" Coam | ST | ST | 18" | NONE | PRIMER EXT ONLY | ST | BR | ST | ST | ST | YES |
| 03410-101B | Hatch, 12" Rnd 3 Dog Spl Paint HD pack 18" Coam | ST | ST | 18" | PTFE | PRIMER EXT ONLY | ST | BR | ST | ST | ST | YES |
| 03410-101C | Hatch, 12" Rnd 3 Dog Spl Paint SS Hw HD pack Hasp | ST | ST | 5" | PTFE | PRIMER EXT ONLY | SS | SS | SS | SS | SS | YES |
| 03410-103C | Hatch, 12" Rnd 3 Dog Spl Paint SS Hw Hasp | ST | ST | 5" | NONE | PRIMER EXT ONLY | SS | SS | SS | SS | SS | YES |
| 03410-101E | Hatch, 12" Rnd 3 Dog Spl Paint Ntrl Gas Zerk Dog | ST | ST | 5" | NTRL | PRIMER EXT ONLY | ST/ZRK | BR | ST | ST | ST | NO |
| 03410-103E | Hatch, 12" Rnd 3 Dog Spl Paint Zerk Dog | ST | ST | 5" | NONE | PRIMER EXT ONLY | ST/ZRK | SS | SS | SS | SS | YES |
| 03410-103J | Hatch, 12" Rnd 3 Dog Spl Paint Zerk Dog 8" Coaming | ST | ST | 8" | NONE | PRIMER EXT ONLY | ST/ZRK | SS | SS | SS | SS | YES |

Definitions

| |
|---|
| NTRL = NITRILE RUBBER - 03410-701A |
| PTFE = BRAIDED TFE PACKING - 03410-701B |
| NONE = NO GASKET PROVIDED |
| PRIMER = GREY PRIMER FINISH ON ALL SURFACES |
| PRIMER EXT ONLY = GREY PRIMER FINISH ON EXTERIOR |

Parts List

| | | | | | | |
|--------------------------------------|------------|------------|------------|------------|------------|------------|
| ST = STEEL OR CAST IRON | 01240-302A | NA | 01240-801A | 03570-805A | 03410-204A | 03410-205A |
| BR = BRONZE | 01240-302B | 01240-201A | NA | 02570-802B | | |
| SS = STAINLESS STEEL | 01240-302C | 01240-201B | 01240-801B | 02570-802A | 03410-204B | |
| ST/ZRK = CAST STEEL WITH ZERK | 01240-312A | NA | NA | NA | | |

UMC-343 - 01230 Series - Multi-Dog Hatch - 19" Round 4 Dog

| P/N | Desc / Quantity | Cover Material | Coaming Material | Coaming Height | Gasket Material | Paint Spec | Dog Handles | Tumble Bolt | Lug Bolt | Lug Nut | Hinge Pin | Hasp Lock |
|--|---|----------------|------------------|----------------|-----------------|-----------------|-------------|-------------|----------|---------|-----------|-----------|
| | | 1 | 1 | 1 | 1 | | 4 | 4 | 4 | 4 | 1 | |
| 01230-101A * | Hatch, 19" Rnd 4 Dog Std Paint | ST | ST | 5" | NONE | PRIMER | ST | BR | ST | ST | ST | NO |
| 01230-111C | Hatch, 19" Rnd 4 Dog Spl Paint Hasp | ST | ST | 5" | NONE | PRIMER EXT ONLY | ST | BR | ST | ST | ST | YES |
| 01230-101C | Hatch, 19" Rnd 4 Dog Spl Paint HD pack | ST | ST | 5" | PTFE | PRIMER EXT ONLY | ST | BR | ST | ST | ST | NO |
| 01230-101B | Hatch, 19" Rnd 4 Dog Spl Paint | ST | ST | 5" | NONE | PRIMER EXT ONLY | SS | SS | ST | ST | ST | NO |
| 01230-101E | Hatch, 19" Rnd 4 Dog Spl Paint HD pack SS Hw | ST | ST | 5" | PTFE | PRIMER EXT ONLY | SS | SS | SS | SS | SS | NO |
| 01230-111E | Hatch, 19" Rnd 4 Dog Spl Paint SS Hw | ST | ST | 5" | NONE | PRIMER EXT ONLY | SS | SS | SS | SS | SS | NO |
| 01230-102M | Hatch, 19" Rnd 4 Dog Std Paint SS Nut No Dog | ST | ST | 5" | NONE | PRIMER | FLNG NUT SS | BR | ST | ST | ST | NO |
| 01230-101MN | Hatch, 19" Rnd 4 Dog Std Paint Ntrl Gas SS Nut No Dog | ST | ST | 5" | NTRL | PRIMER | FLNG NUT SS | BR | ST | ST | ST | NO |
| 01230-101M | Hatch, 19" Rnd 4 Dog Std Paint HD Pack SS Nut No Dog | ST | ST | 5" | PTFE | PRIMER | FLNG NUT SS | BR | ST | ST | ST | NO |
| 01230-101J | Hatch, 19" Rnd 4 Dog Spl Paint Ntrl Gas SS Hw SS Nut No Dog | ST | ST | 5" | NTRL | PRIMER EXT ONLY | FLNG NUT SS | SS | SS | SS | SS | NO |
| 01230-111D | Hatch, 19" Rnd 4 Dog Std Paint SS Hw SS Nut No Dog | ST | ST | 5" | NONE | PRIMER | STD NUT SS | SS | SS | SS | SS | NO |
| 01230-101G | Hatch, 19" Rnd 4 Dog Std Paint Ntrl Gas SS Hw SS Nut No Dog | ST | ST | 5" | NTRL | PRIMER | STD NUT SS | SS | SS | SS | SS | NO |
| 01230-101F | Hatch, 19" Rnd 4 Dog Spl Paint Ntrl Gas SS Hw SS Nut No Dog | ST | ST | 5" | NTRL | PRIMER EXT ONLY | STD NUT SS | SS | SS | SS | SS | NO |
| 01230-101D | Hatch, 19" Rnd 4 Dog Spl Paint HD pack SS Nut No Dog | ST | ST | 5" | PTFE | PRIMER EXT ONLY | STD NUT SS | SS | SS | SS | SS | NO |
| 01230-111K | Hatch, 19" Rnd 4 Dog Spl Paint Zerk Dog Hasp | ST | ST | 5" | NONE | PRIMER EXT ONLY | ST/ZRK | BR | ST | ST | ST | YES |
| 01230-101K | Hatch, 19" Rnd 4 Dog Spl Paint HD pack Zerk Dog | ST | ST | 5" | PTFE | PRIMER EXT ONLY | ST/ZRK | BR | ST | ST | ST | NO |
| All Stainless Steel Hatch - Stainless Cover and Coaming | | | | | | | | | | | | |
| 01230-111T | SS Hatch, 19" Rnd 4 Dog Spl Paint SS/BR | SS | SS | 5" | NONE | NONE | SS | BR | SS | BR | SS | NO |
| 01230-101T | SS Hatch, 19" Rnd 4 Dog Spl Paint HD Pack SS/BR | SS | SS | 5" | PTFE | NONE | SS | BR | SS | SS | SS | NO |
| 01230-101S | SS Hatch, 19" Rnd 4 Dog Spl Paint SS/BR Metric M16 | SS | SS | 5" | NONE | NONE | SS | BR | SS-M16 | BR-M16 | SS | NO |

Definitions

| |
|---|
| NTRL = NITRILE RUBBER - 01241-701A |
| PTFE = BRAIDED TFE PACKING - 01241-701B |
| NONE = NO GASKET PROVIDED |
| PRIMER = GREY PRIMER FINISH ON ALL SURFACES |
| PRIMER EXT ONLY = GREY PRIMER FINISH ON EXTERIOR |

Parts List

| | | | | | | |
|---|-------------|------------|------------|------------|------------|------------|
| ST = STEEL OR CAST IRON | 01240-302A | NA | 01240-801A | 03570-805A | 01230-801A | 03410-205A |
| BR = BRONZE | 01240-302B | 01240-201A | NA | 02570-802B | | |
| SS = STAINLESS STEEL | 01240-302C | 01240-201B | 01240-801B | 02570-802A | 01230-801B | |
| ST/ZRK = CAST STEEL WITH ZERK | 01240-312A | NA | NA | NA | | |
| NUT SS = STAINLESS STEEL FLANGE NUTS | 56020-012SS | NA | NA | NA | | |
| STD NUT SS = STAINLESS STEEL NUTS | 01230-802A | NA | NA | NA | | |
| SS-M16 = STAINLESS STEEL METRIC M-16 | NA | NA | 01230-804A | NA | | |
| BR-M16 = BRONZE METRIC - M-16 | NA | NA | NA | 01230-803A | | |

* Stocked Items at UMC Costa Mesa Locations (All Other Item are special Order)

714-437-9600

www.umcproducts.com

2920 Airway Ave, Costa Mesa, Ca 92626



UMC Marine Hatch Product Matrix and Spare Parts List

UMC-144 & UMC 569 - Ullage Style Hatch

| P/N | Desc / Quantity | Cover Material | Coaming Material | Clear Opening | Coaming Height | Gasket Material | Paint Spec | Dog Handles | Tumble Bolt | Lug Bolt | Lug Nut | Hasp Lock |
|------------------------------------|--|----------------|------------------|---------------|----------------|-----------------|-----------------|-------------|-------------|----------|---------|-----------|
| 1 | 1 | 1 | 1 | 1 | 1 | 1 | 1 | 1 | 1 | 1 | 1 | 1 |
| UMC-144 - 8" Clear Opening | | | | | | | | | | | | |
| 01242-102A | Hatch, Ullage 8" Std Paint Ntrl Gas 7/8" Coam | ST | ST | 5" | 7/8" | NTRL | PRIMER | ST | BR 5" | BR | SS | NO |
| 01242-102E | Hatch, Ullage 8" SPL Paint Ntrl Gas 7/8" Coam | ST | ST | 5" | 7/8" | NONE | PRIMER EXT ONLY | ST | BR 5" | BR | SS | NO |
| 01242-102B | Hatch, Ullage 8" SPL Paint Ntrl Gas 7/8" Coam SS Hw | ST | ST | 5" | 7/8" | NTRL | PRIMER EXT ONLY | SS | SS 5" | SS | SS | NO |
| 01242-103B | Hatch, Ullage 8" SPL Paint HD Pack 7/8" Coam SS Hw | ST | ST | 5" | 7/8" | PTFE | PRIMER EXT ONLY | SS | SS 5" | SS | SS | NO |
| 01242-102C | Hatch, Ullage 8" SPL Paint 7/8" Coam SS Hw | ST | ST | 5" | 7/8" | NONE | PRIMER EXT ONLY | SS | SS 5" | SS | SS | NO |
| 01242-102J | Hatch, Ullage 8" SPL Paint 7/8" Coam SS Hw Zerk Dog | ST | ST | 5" | 7/8" | NONE | PRIMER EXT ONLY | ST/ZRK | SS 5" | SS | SS | NO |
| 01242-102K | Hatch, Ullage 8" SPL Paint 7/8" Coam Zerk Dog | ST | ST | 5" | 7/8" | NONE | PRIMER EXT ONLY | SS/ZRK | BR 5" | BR | SS | NO |
| 01242-102S | SS Hatch, Ullage 8" 7/8" Coam SS Hw Metric M16 | SS | SS | 5" | 7/8" | NTRL | NONE | SS | BR 5" | SS M16 | BR M16 | NO |
| 01242-104B | Hatch, Ullage 8" SPL Paint Ntrl Gas 5" Coam Zerk Dog | ST | ST | 5" | 5" | NTRL | PRIMER EXT ONLY | ST/ZRK | BR 5.6" | BR | SS | NO |
| 01242-104A | Hatch, Ullage 8" SPL Paint HD Pack 5" Coam Zerk Dog | ST | ST | 5" | 5" | PTFE | PRIMER EXT ONLY | ST/ZRK | BR 5.6" | BR | SS | NO |
| 01242-104C | Hatch, Ullage 8" SPL Paint HD Pack 5" Coam Zerk Dog Hasp | ST | ST | 5" | 5" | PTFE | PRIMER EXT ONLY | ST/ZRK | BR 5.6" | BR | SS | YES |
| 01242-114A | Hatch, Ullage 8" SPL Paint 5" Coam Zerk Dog | ST | ST | 5" | 5" | NONE | PRIMER EXT ONLY | ST/ZRK | BR 5.6" | BR | SS | NO |
| 01242-114C | Hatch, Ullage 8" SPL Paint 5" Coam Zerk Dog Hasp | ST | ST | 5" | 5" | NONE | PRIMER EXT ONLY | ST/ZRK | BR 5.6" | BR | SS | YES |
| 01242-116A | Hatch, Ullage 8" SPL Paint Ntrl Gas 12" Coam | ST | ST | 5" | 12" | NTRL | PRIMER EXT ONLY | ST | BR 5.6" | BR | SS | NO |
| 01242-105B | Hatch, Ullage 8" SPL Paint Ntrl Gas 12" Coam Hasp | ST | ST | 5" | 12" | NTRL | PRIMER EXT ONLY | ST | BR 5.6" | BR | SS | YES |
| 01242-105A | Hatch, Ullage 8" SPL Paint HD Pack 12" Coam | ST | ST | 5" | 12" | PTFE | PRIMER EXT ONLY | ST | BR 5.6" | BR | SS | NO |
| 01242-105C | Hatch, Ullage 8" SPL Paint HD Pack 12" Coam Hasp | ST | ST | 5" | 12" | PTFE | PRIMER EXT ONLY | ST | BR 5.6" | BR | SS | YES |
| 01242-106A | Hatch, Ullage 8" SPL Paint 12" Coam | ST | ST | 5" | 12" | NONE | PRIMER EXT ONLY | ST | BR 5.6" | BR | SS | NO |
| 01242-106C | Hatch, Ullage 8" SPL Paint 12" Coam Hasp | ST | ST | 5" | 12" | NONE | PRIMER EXT ONLY | ST | BR 5.6" | BR | SS | YES |
| 01242-106J | Hatch, Ullage 8" SPL Paint Ntrl Gas 12" Coam Zerk Dog Hasp | ST | ST | 5" | 12" | NTRL | PRIMER EXT ONLY | ST/ZRK | SS 5.6" | SS | SS | YES |
| UMC-569 - 10" Clear Opening | | | | | | | | | | | | |
| 01243-101A | Hatch, Ullage 10" SPL Paint HD Pack 5" Coam SS Hw | ST | ST | 10" | 5" | PTFE | PRIMER EXT ONLY | SS | SS 5.6" | SS | SS | NO |
| 01243-105A | Hatch, Ullage 10" SPL Paint 5" Coam SS Hw | ST | ST | 10" | 5" | NONE | PRIMER EXT ONLY | SS | SS 5.6" | SS | SS | NO |
| 01243-105C | Hatch, Ullage 10" SPL Paint 5" Coam SS Hw Zerk Dog Hasp | ST | ST | 10" | 5" | NONE | PRIMER EXT ONLY | ST/ZRK | SS 5.6" | SS | SS | YES |
| 01243-105K | Hatch, Ullage 10" SPL Paint 5" Coam SS Hw Zerk Dog | ST | ST | 10" | 5" | NONE | PRIMER EXT ONLY | SS/ZRK | SS 5.6" | SS | SS | NO |
| 01243-101S | SS Hatch, Ullage 10" SPL Paint HD Pack 5" Coam SS Hw | SS | SS | 10" | 5" | PTFE | NONE | SS | SS 5.6" | SS | SS | NO |
| 01243-105S | SS Hatch, Ullage 10" SPL Paint 5" Coam SS Hw | SS | SS | 10" | 5" | NONE | NONE | SS | BR 5.6" | SS | BR | NO |

Definitions

| |
|---|
| NTRL = NITRILE RUBBER - 01242-701A |
| PTFE = BRAIDED TFE PACKING FOR 8" - 01242-701B BRAIDED TFE PACKING FOR 10" - 01243-701B & 01243-702B |
| NONE = NO GASKET PROVIDED |
| PRIMER = GREY PRIMER FINISH ON ALL SURFACES |
| PRIMER EXT ONLY = GREY PRIMER FINISH ON EXTERIOR |

Parts List

| | Dog Handles | Tumble Bolt | Lug Bolt | Lug Nut | Hasp Lock |
|------------------------------------|-------------|----------------------------------|------------|------------|------------|
| ST = STEEL OR CAST IRON | 01240-302A | NA | 01240-801A | 03570-805A | 03410-205B |
| BR = BRONZE | 01240-302B | 01240-201A 5" 01240-210A 5.6" | NA | 02570-802B | |
| SS = STAINLESS STEEL | 01240-302C | 01240-201B 5" 01240-210B 5.6" | 01240-801B | 02570-802A | |
| ST/ZRK = CAST STEEL WITH ZERK | 01240-312A | NA | NA | NA | |
| SS/ZRK = STAINLESS STEEL WITH ZERK | 01240-312C | | | | |

* Stocked Items at UMC Costa Mesa Locations (All Other Item are special Order)

714-437-9600

www.umcproducts.com

2920 Airway Ave, Costa Mesa, Ca 92626



UMC Marine Hatch Product Matrix and Spare Parts List

UMC-174-5 w/144 ULLAGE - COMBO 15"X 23" WITH 8" ULLAGE

| P/N | Desc / Quantity | Cover Material | Coaming Material | Coaming Height | Gasket Material | Paint Spec | Dog Handles | Tumble Bolt | Lug Bolt | Lug Nut | Hinge Pin | Hasp Lock | Ullage Hatch | Ullage Dog Hndl | Ullage Tumble | Ullage Lug Bolt | Ullage Lug Nut |
|------------|---|----------------|------------------|----------------|-----------------|-----------------|-------------|-------------|----------|---------|-----------|-----------|--------------|-----------------|---------------|-----------------|----------------|
| | | 1 | 1 | | 1 | | 4 | 4 | 4 | 4 | 1 | | 1 | 1 | 1 | 3 | 3 |
| 01240-105E | Hatch Combo, 15x23 4 Dog w/Ullage | ST | ST | 5" | NONE | PRIMER EXT ONLY | ST | BR | ST | ST | SS | NO | ST | ST | BR | BR | SS |
| 01240-115E | Hatch Combo, 15x23 4 Dog w/Ullage HD Pack | ST | ST | 5" | PTFE | PRIMER EXT ONLY | ST | BR | ST | ST | SS | NO | ST | ST | BR | BR | SS |

Definitions

| |
|---|
| PRIMER EXT ONLY = GREY PRIMER FINISH ON EXTERIOR |
| PTFE = BRAIDED TFE PACKING FOR 15" X 23" HATCH- 01242-701B BRAIDED TFE PACKING FOR 8" ULLAGE- 01241-701B |

Parts List

| | Dog Handles | Tumble Bolt | Lug Bolt | Lug Nut | Hinge Pin | Hasp Lock | Ullage Hatch | Ullage Dog Hndl | Ullage Tumble | Ullage Lug Bolt | Ullage Lug Nut |
|-------------------------|-------------|-------------|------------|------------|------------|-----------|--------------|-----------------|---------------|--------------------------------|----------------|
| ST = STEEL OR CAST IRON | 01240-302A | NA | 01240-801A | 03570-805A | NA | NA | 01242-102E | 01240-302A | NA | NA | 03570-805A |
| BR = BRONZE | NA | 01240-201A | NA | NA | NA | NA | NA | NA | 01240-201A | 01242-801A x2 01242-802A x1 | NA |
| SS = STAINLESS STEEL | NA | NA | NA | NA | 01240-208B | NA | NA | NA | NA | NA | 02570-802A |

UMC-464-5 w/144 ULLAGE - COMBO 18" x 24" WITH 8" ULLAGE

| P/N | Desc / Quantity | Cover Material | Coaming Material | Coaming Height | Gasket Material | Paint Spec | Dog Handles | Tumble Bolt | Lug Bolt | Lug Nut | Hinge Pin | Hasp Lock | Ullage Hatch | Ullage Dog Hndl | Ullage Tumble | Ullage Lug Bolt | Ullage Lug Nut |
|--|---|----------------|------------------|----------------|-----------------|-----------------|-------------|-------------|----------|---------|-----------|-----------|--------------|-----------------|---------------|-----------------|----------------|
| | | 1 | 1 | | 1 | | 4 | 4 | 4 | 4 | 1 | | 1 | 1 | 1 | 3 | 3 |
| 03800-105A | Hatch Combo, 18x24 4 Dog w/Ullage SS Hw Ntrl Gas | ST | ST | 5" | NTRL | PRIMER EXT ONLY | SS | SS | ST | ST | ST | NO | ST | SS | SS | SS | SS |
| 03800-105E | Hatch Combo, 18x24 4 Dog w/Ullage Ntrl Gas Hasp | ST | ST | 5" | NONE | PRIMER EXT ONLY | ST | BR | ST | ST | ST | YES | ST | ST | BR | BR | SS |
| 03800-115E | Hatch Combo, 18x24 4 Dog w/Ullage HD Pack Hasp | ST | ST | 5" | PTFE | PRIMER EXT ONLY | ST | BR | ST | ST | ST | YES | ST | ST | BR | BR | SS |
| 03800-135J | Hatch Combo, 18x24 4 Dog w/Ullage SS Hw Zerk Dog Hasp | ST | ST | 5" | NONE | PRIMER EXT ONLY | ST/ZRK | SS | SS | SS | SS | YES | ST | ST/ZRK | SS | SS | SS |
| 03800-135K* | Hatch Combo, 18x24 4 Dog w/Ullage Zerk Dog Hasp | ST | ST | 5" | NONE | PRIMER EXT ONLY | ST/ZRK | BR | ST | ST | ST | YES | ST | ST/ZRK | BR | BR | SS |
| 03800-134M | Hatch Combo, 18x24 4 Dog w/Ullage HD Pack Flange Nut | ST | ST | 5" | PTFE | PRIMER EXT ONLY | NUT SS | BR | ST | ST | ST | YES | ST | ST/ZRK | BR | BR | SS |
| 03800-134MN | Hatch Combo, 18x24 4 Dog w/Ullage Ntrl Gas Flange Nut | ST | ST | 5" | NITRILE | PRIMER EXT ONLY | NUT SS | BR | ST | ST | ST | YES | ST | ST/ZRK | BR | BR | SS |
| 03800-135M | Hatch Combo, 18x24 4 Dog w/Ullage Flange Nut | ST | ST | 5" | NONE | PRIMER EXT ONLY | NUT SS | BR | ST | ST | ST | YES | ST | ST/ZRK | BR | BR | SS |
| All Stainless Steel Hatch - Stainless Cover and Coaming | | | | | | | | | | | | | | | | | |
| 03800-105S | SS Hatch Combo, 18x24 4 Dog w/Ullage SS/BR Metric M16 | SS | SS | 5" | NONE | NONE | SS | BR | SS-M16 | BZ-M16 | SS | NO | SS | SS | BR | SS-M16 | BZ-M16 |

Definitions

| |
|--|
| NTRL = NITRILE RUBBER GASKET FOR 18" X 24" - 03800-701A NITRILE RUBBER GASKET FOR 8" ULLAGE - 01242-701A |
| PTFE = BRAIDED TFE PACKING FOR 18" X 24" HATCH - 03800-701B BRAIDED TFE PACKING FOR 8" ULLAGE- 01242-701B |
| FLAX = BRAIDED FLAX PACKING - 03800-701C |
| NONE = NO GASKET PROVIDED |
| PRIMER = GREY PRIMER FINISH ON ALL SURFACES |
| PRIMER EXT ONLY = GREY PRIMER FINISH ON EXTERIOR |
| INTERPZINC 22 = INTERPZINC 22 PRIMER - 01051-902A |

Parts List

| | Dog Handles | Tumble Bolt | Lug Bolt | Lug Nut | Hinge Pin | Hasp Lock | Ullage Hatch | Ullage Dog Hndl | Ullage Tumble | Ullage Lug Bolt | Ullage Lug Nut |
|--------------------------------------|-------------|-------------|------------|------------|------------|------------|--------------------------|-----------------|---------------|--------------------------------|----------------|
| ST = STEEL OR CAST IRON | 01240-302A | NA | 01240-801A | 03570-805A | 03800-204A | 03410-205A | 01242-102B 01242-102E | 01240-302A | NA | NA | 03570-805A |
| BR = BRONZE | 01240-302B | 01240-201A | NA | NA | NA | NA | NA | 01240-302B | 01240-201A | 01242-801A x2 01242-802A x1 | NA |
| SS = STAINLESS STEEL | 01240-302C | 01240-201B | 01240-801B | 02570-802A | 03800-204B | NA | 01242-102S | 01240-302C | 01240-201B | 01240-801B x2 01240-802B x1 | 02570-802A |
| ST/ZRK = CAST STEEL WITH Zerk Dog | 01240-312A | NA | NA | NA | NA | NA | 01242-102J 01242-102K | 01240-312A | NA | NA | NA |
| NUT SS = STAINLESS STEEL FLANGE NUTS | 56020-012SS | NA | NA | NA | NA | NA | NA | NA | NA | NA | NA |
| SS-M16 = STAINLESS STEEL METRIC M-16 | NA | NA | 01230-804A | NA | NA | NA | NA | NA | NA | 01230-804A | NA |
| BR-M16 = BRONZE METRIC - M-16 | NA | NA | NA | 01230-803A | NA | NA | NA | NA | NA | NA | 01230-803A |

* Stocked Items at UMC Costa Mesa Locations (All Other Item are special Order)

714-437-9600

www.umcproducts.com

2920 Airway Ave, Costa Mesa, Ca 92626