

QUALITY IRRIGATION
PRODUCTS

ISO 9001:2000 CERTIFIED

2920 Airway Ave, Costa Mesa, Ca. 92626
phone: 714.437.9600 fax: 714.437.9700



CD-1-U CENTER DRIVE GEARBOXES



Model Numbers:

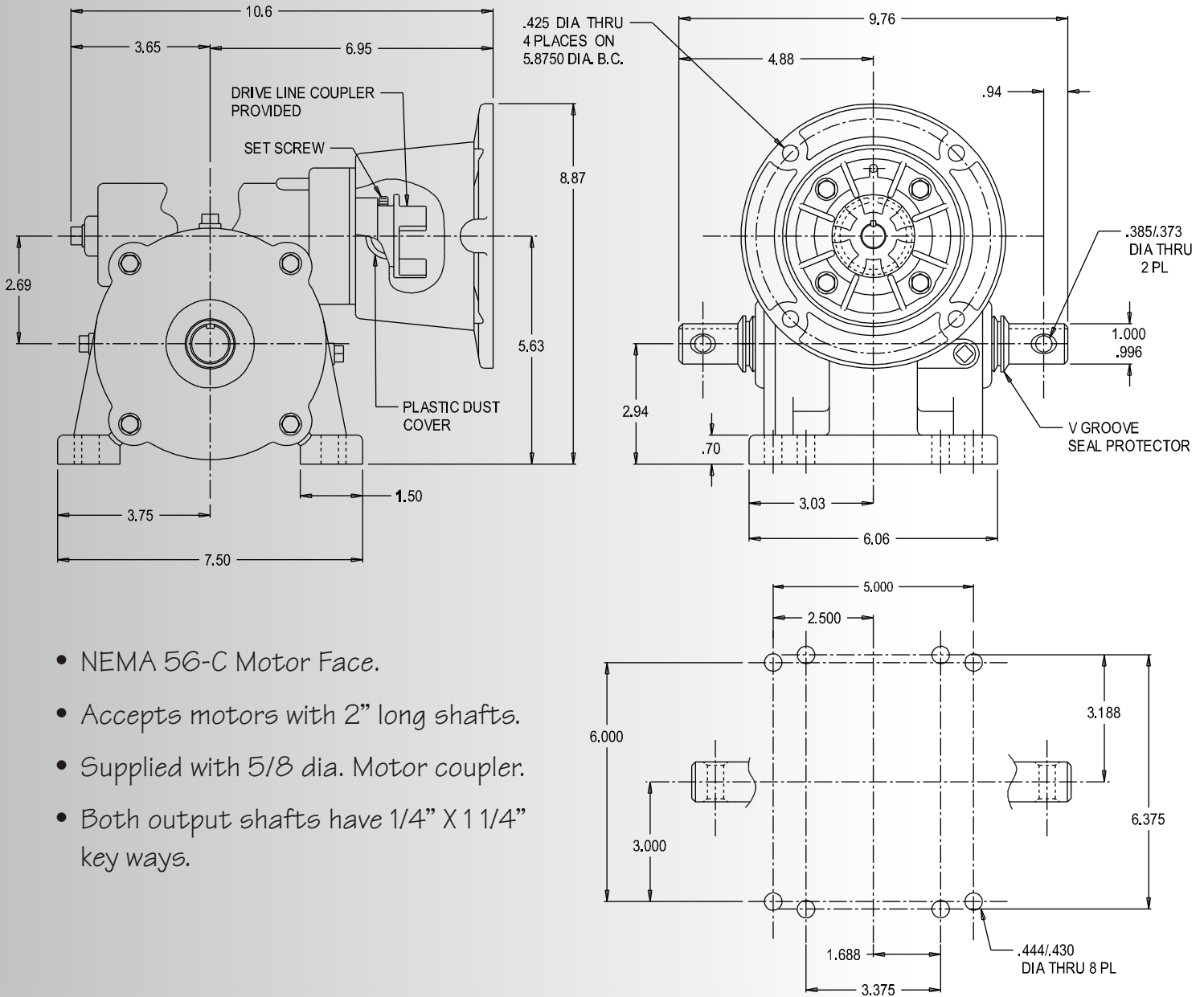
- CD-1-30 - 58 RPM, 30:1 ratio
- CD-1-40 - 43 RPM, 40:1 ratio
- CD-1-50 - 35 RPM, 50:1 ratio
- CD-1-60 - 29 RPM, 60:1 ratio

Evaluation Specifications

- * Precision die cast tempered aluminum housing.
- * Includes easy to install shock absorbing motor to gear box coupler.
- * Accepts NEMA 56-C face motors with 5/8" shafts, 2" long with .19 key slots.
- * Multiple mount plate bolt patterns 5" x 6"; 3 3/8" x 6 3/8".
- * Ample oil fill, drain and level, threaded plug holes.
- * Shipped with oil.
- * High strength aluminum bronze bull gear.
- * Includes special external crop guard seals.
- * Painted for added corrosion resistance.

CONTACT UMC AT SALES@UMCPRODUCTS.COM

Dimensional Drawing
CD-1-U
Center Drive Gearbox



- NEMA 56-C Motor Face.
- Accepts motors with 2" long shafts.
- Supplied with 5/8 dia. Motor coupler.
- Both output shafts have 1/4" X 1 1/4" key ways.

CONTACT UMC AT SALES@UMCPRODUCTS.COM



Universal Motion Components, Co. Inc.
2920 Airway Ave, Costa Mesa, Ca. 92626
Phone: 714.437.9600 Fax: 714.437.9700
Web: <http://www.umcproducts.com>
E-mail: sales@umcproducts.com