

QUALITY IRRIGATION  
PRODUCTS

ISO 9001:2008 CERTIFIED

2920 Airway Ave, Costa Mesa, Ca. 92626  
phone: 714.437.9600 fax: 714.437.9700



T-N-T-2 GEARBOX



US Patent # 6237863

**TNT-2 SERIES  
WHEEL BOX**

**TNT-2-U 50:1  
TNT-2-UV 52:1**

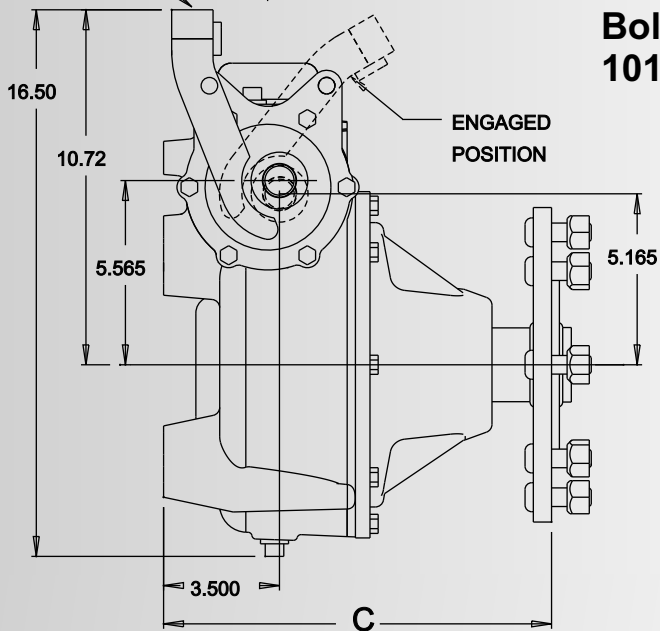
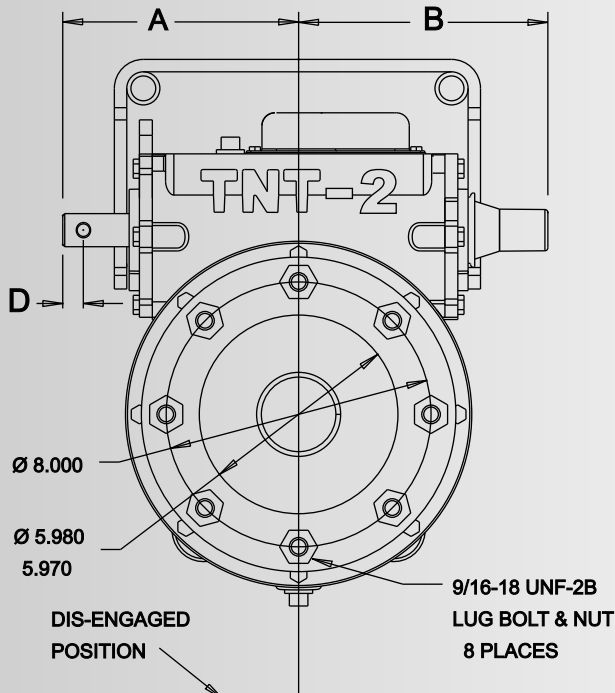
Evaluation Specification:

- ▶ New design reduces periodic maintenance time.
- ▶ Dual input seals for added protection.
- ▶ Specially designed output seals with external seal saver.
- ▶ Simple bale engagement lever makes for quick, easy, and trouble free operation. No more broken or bent pins.
- ▶ Compatible with most standard tires sizes.
- ▶ Efficient and reliable alternative to a bolt-on towable hub with standard gearbox.
- ▶ Patented design.
- ▶ Lighter weight and more economical cost than standard towable gearboxes.
- ▶ Universal bolt pattern mount fits most pivot and lateral / linear towable irrigation systems.
- ▶ Positive lock in both tow and non-tow positions.
- ▶ Uses our proven heavy duty gearing.

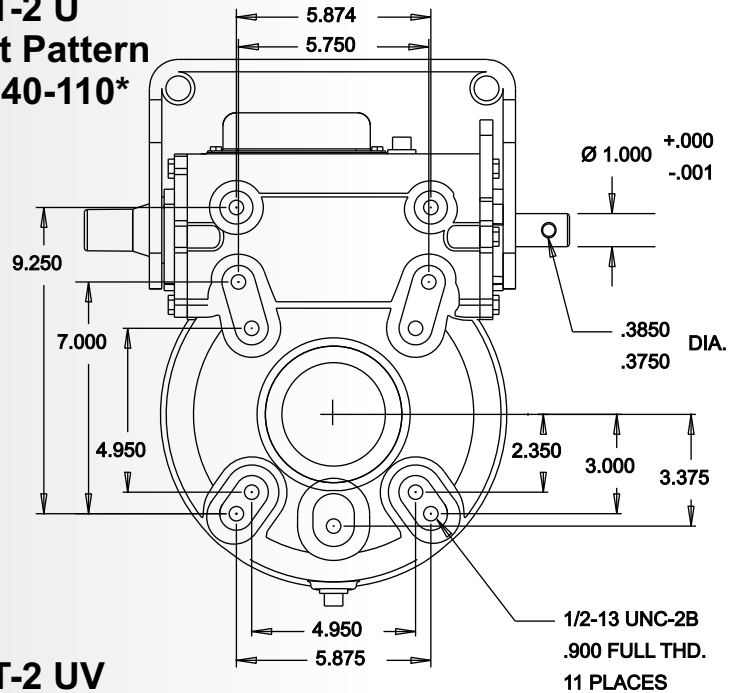
CONTACT UMC AT [SALES@UMCPRODUCTS.COM](mailto:SALES@UMCPRODUCTS.COM)

## Dimensional Drawing FINAL DRIVE GEARBOX

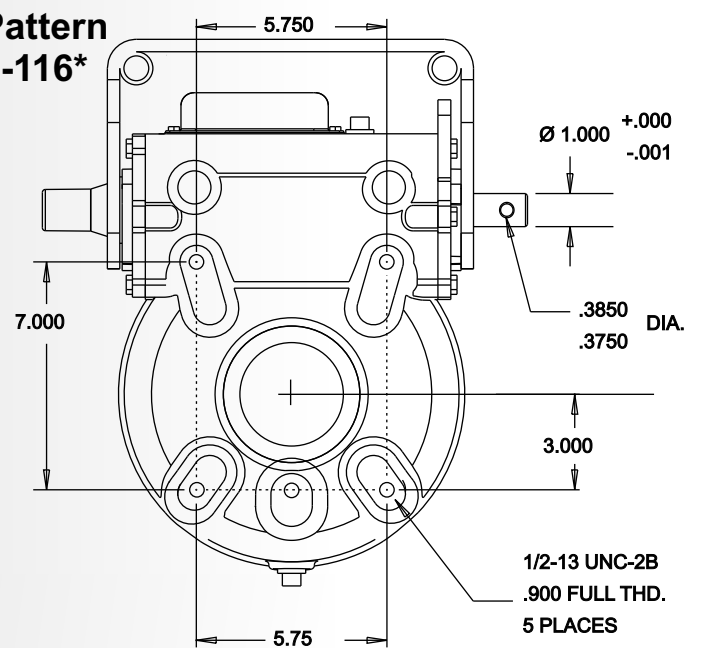
Dimension	A	B	C	D
TNT2-U	7.05"	7.529"	11"	.625"
TNT2-UV	7.788"	8.192"	13.07"	1"



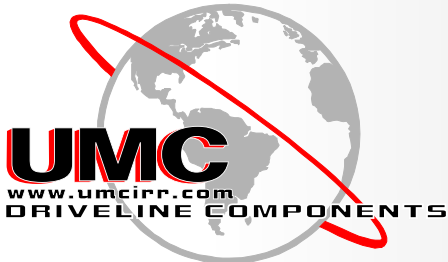
### TNT-2 U Bolt Pattern 10140-110\*



### TNT-2 UV Bolt Pattern 10140-116\*



CONTACT UMC AT SALES@UMCPRODUCTS.COM



Universal Motion Components, Co. Inc.  
2920 Airway Ave, Costa Mesa, Ca. 92626  
Phone: 714.437.9600 Fax: 714.437.9700  
Web: <http://www.umcproducts.com>  
E-mail: [sales@umcproducts.com](mailto:sales@umcproducts.com)