

Quality Irrigation Products

ISO 9001:2000 CERTIFIED

2920 Airway Ave, Costa Mesa, Ca. 92626
phone: 714.437.9600 fax: 714.437.9700

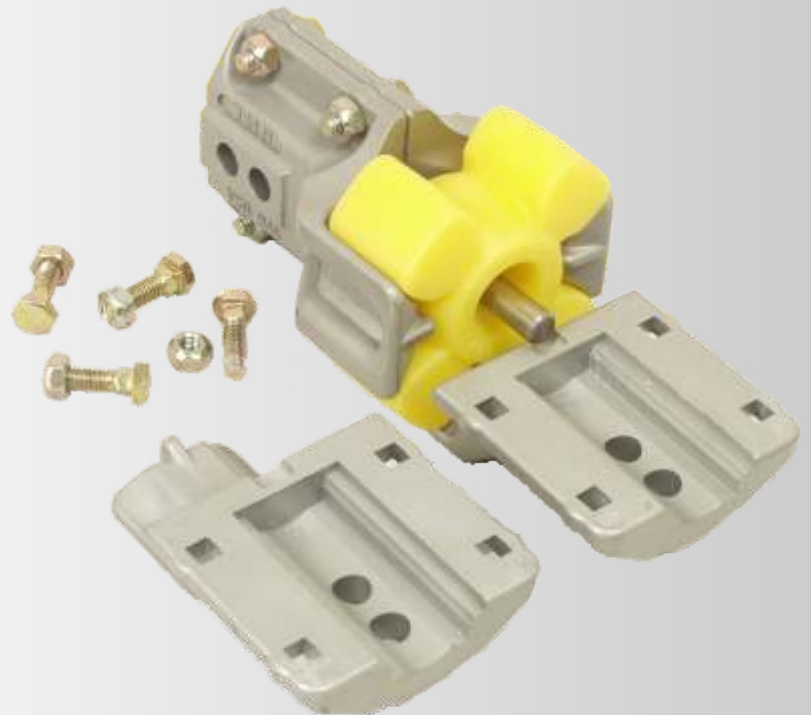


Alignment Drive Line Coupler

Evaluation Specifications

- & Over 25 years in field service record makes this the most reliable coupler on the market.
- & Alignment rod holds insert in place and coupler in alignment under extreme or sudden loads.
- & Designed for use in extreme duty environments: heavy soils, Larger tire diameter, Higher torque motors, and stronger gearboxes.
- & Designed to be the fusible link in the drive train to prevent failure in final drive gearbox or other hardware in problematic field conditions
- & 70% increase in load carrying abilities.
- & Urethane insert offers an environmentally stable insert with better resistance to UV rays and chemicals.
- & Grooved insert option converts any coupler assembly for a towable application.
- & UMC SQUEX bolts (Square Neck, Hex Head) creates unique bolt anti-rotation feature that allows for faster single wrench assembly in Field.
- & 75,000 PSI high strength bolts and prevailing torque type nuts.
- & High torque conditions capture and compress insert lobes instead of shearing them.
- & Shock attenuating puck insert allows for softer starts and stops.
- & Ideal for high-torque, slow-speed conditions with severe back driving.
- & Curved pressure pads compensate for out of line conditions.
- & One year limited warranty.

Don't be fooled by imitators. Buy Genuine UMC Couplers and benefit from our 25 years of infield service.

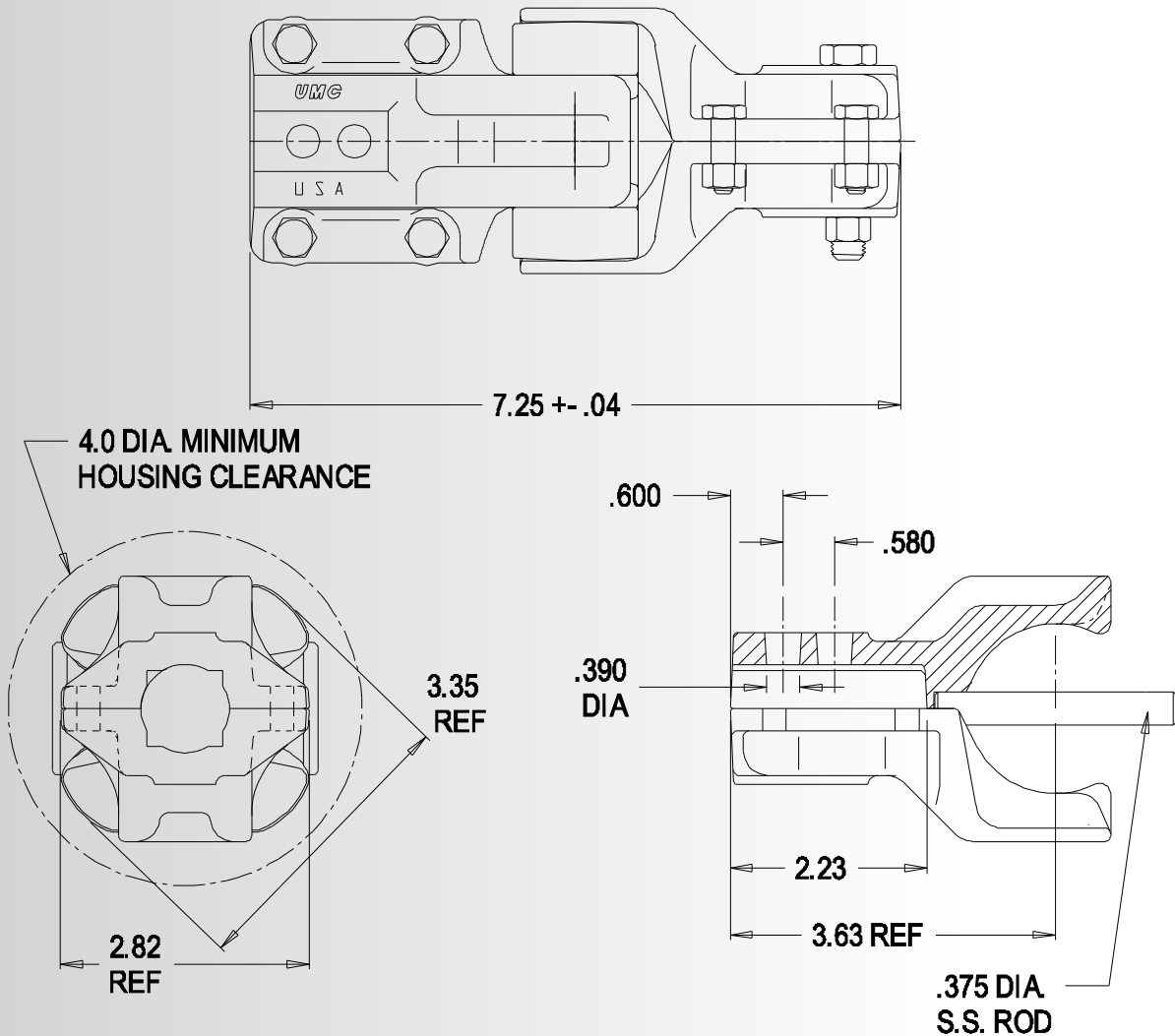


Standard Models:

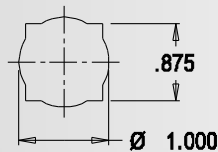
→ CPL-M	1" rd. x 7/8" sq.
→ CPL-P	1" rd. x 3/4" sq.
→ CPL-J	1" rd. x 1" sq.
→ CPL-I	1 1/8" rd. x 1" sq.

Contact UMC at sales@umcproducts.com

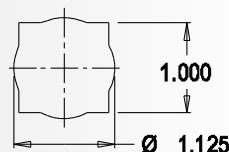
Dimensional Drawing Drive line Coupler



Available shaft configurations

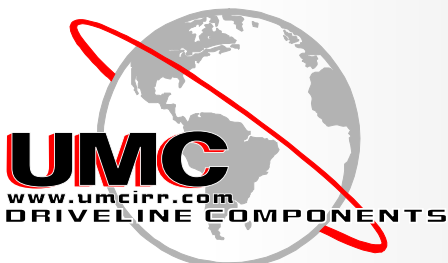


#1 A



#8 G

Contact UMC at sales@umcproducts.com



Universal Motion Components, Co. Inc.
2920 Airway Ave, Costa Mesa, Ca. 92626
Phone: 714.437.9600 Fax: 714.437.9700
Web: <http://www.umcproducts.com>
E-mail: sales@umcproducts.com